

AMERICAN CART & RACK

MANUFACTURED BY GRANITE INDUSTRIES

67489
TALL FORK HAND TRUCK



600 LB



OUR CARTS
HAUL
MORE

PROUDLY
MADE IN THE
USA



FLAT
FREE
TIRES



THREE
YEAR
LIMITED
WARRANTY

FEATURES

- Looped handle & rear kick bar for improved leverage
- 12" taller than our standard fork hand trucks
- 3/4" solid steel axle
- 10" Flat free wheels with steel hubs
- D-brackets on axle add more stability and strength
- Adjustable forks; 6" to 19" wide
- 10' Auto retracting ratchet strap
- 600 lb capacity

STANDARD AMERICAN CART FEATURES

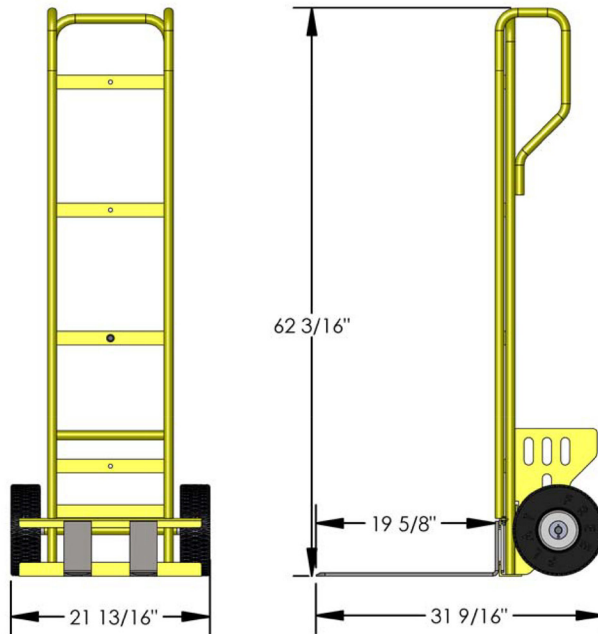
- **Designed and manufactured in the USA**
Hand crafted at our Ohio plant.
- **Heavy-duty comes standard**
American Carts are all built to heavy duty specs
- **Powder coated finish**
Protects the steel and provides a lasting finish
- **Steel construction**
Built from American sourced steel
- **D-Brackets**
One piece design supports the axle and load better than the competition
- **3/4" Axle**
Industry leading axle size for maximum strength.
- **Easy to operate**
Designed to get work done with less muscle strain and simple operation.
- **Ready to ship**
in stock and ready to ship
- **Three Year Limited Warranty**



10' Auto retracting ratchet strap

AMERICAN CART & RACK

MANUFACTURED BY GRANITE INDUSTRIES



Dimensions:	W: 22"	D: 32"	H: 62.5"
Forks:	W: 3"	D: 20"	Adj: 6-19"
Weight:	78 lb	Capacity:	600 lb
Typically Ships:	Freight, fully assembled		



Expect more. get more.
FROM GRANITE INDUSTRIES

- Exceptional quality and service on every product.
- Professional grade designs by in house engineers.
- Industry leading warranties.
- Family owned and operated in the USA.

MADE IN THE USA GUARANTEE



Our American made products are engineered, manufactured and assembled in Archbold, OH using USA made steel.



**GRANITE
INDUSTRIES**

877-447-2648
graniteind.com
americancartandrack.com

Scan the QR code to view more products.

