



GRANITE
INDUSTRIES

A M E R I C A N
C A R T & R A C K

MANUFACTURED BY GRANITE INDUSTRIES

ALUMINUM HAND TRUCK

INSTRUCTION MANUAL



67392

CONTENTS

Specs	3
Parts Diagram	4
Assembly	5

TOOLS NEEDED

- 9/16" Wrench
- Socket Wrench with 9/16" Socket
- Needle Nose Pliers
- Box Cutters / Utility Knife

MADE IN THE USA GUARANTEE



Our American made products are engineered, manufactured and assembled in Archbold, OH using USA made steel.



Expect more. get more.
FROM GRANITE INDUSTRIES

- Exceptional quality and service on every single product.
- Professional grade designs by our in house engineers.
- Industry leading warranties.
- Family owned and operated in the USA.

To view more products from
American Cart & Rack
scan the QR code with your phone
or visit AmericanCartAndRack.com



WARRANTY

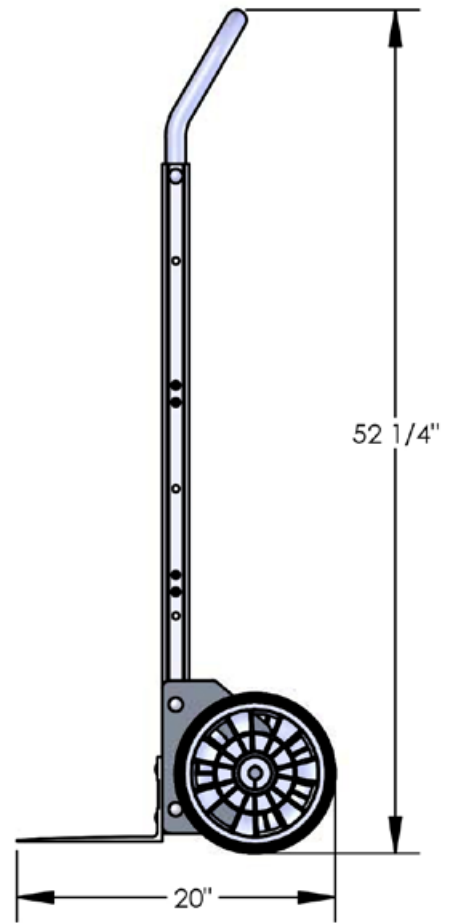
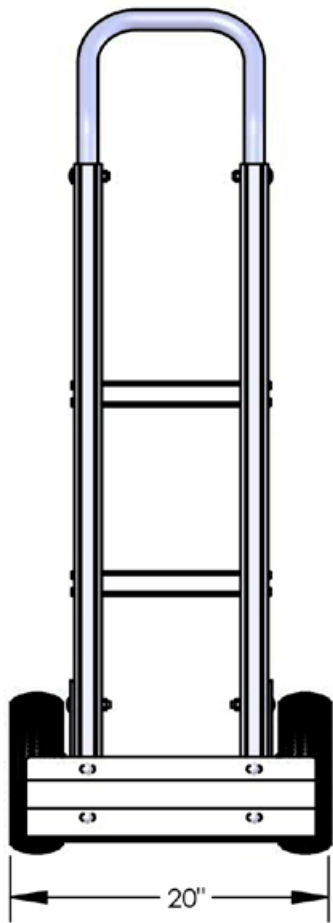
3 Year Limited Warranty. Carts, excluding any finishes, casters and wheels are warranted for three (3) years from date of original purchase. Casters and wheels are warranted for 90 days from date of original purchase. We will repair, without charge, any defect due to faulty material or workmanship. These warranties do not cover failures due to abuse, misuse, improper installation, accidental damage or when repairs or modifications have been made or attempted to be made by anyone other than Granite Industries. Any defective products that meet warranty specifications and Granite Industries approval, may be returned to the factory to be repaired or replaced free of charge. (Granite Industries will pay to ship replacement item(s) to the customer; however the customer is responsible for shipment of products to the factory.) This remedy is the sole remedy in contract, tort or otherwise, and Granite Industries is not liable for incidental, consequential or special damages. These warranties give you specific legal rights, and you may have other rights which vary from state to state. Should you have any questions, contact Granite Industries (Proof of purchase may be required).



**GRANITE
INDUSTRIES**

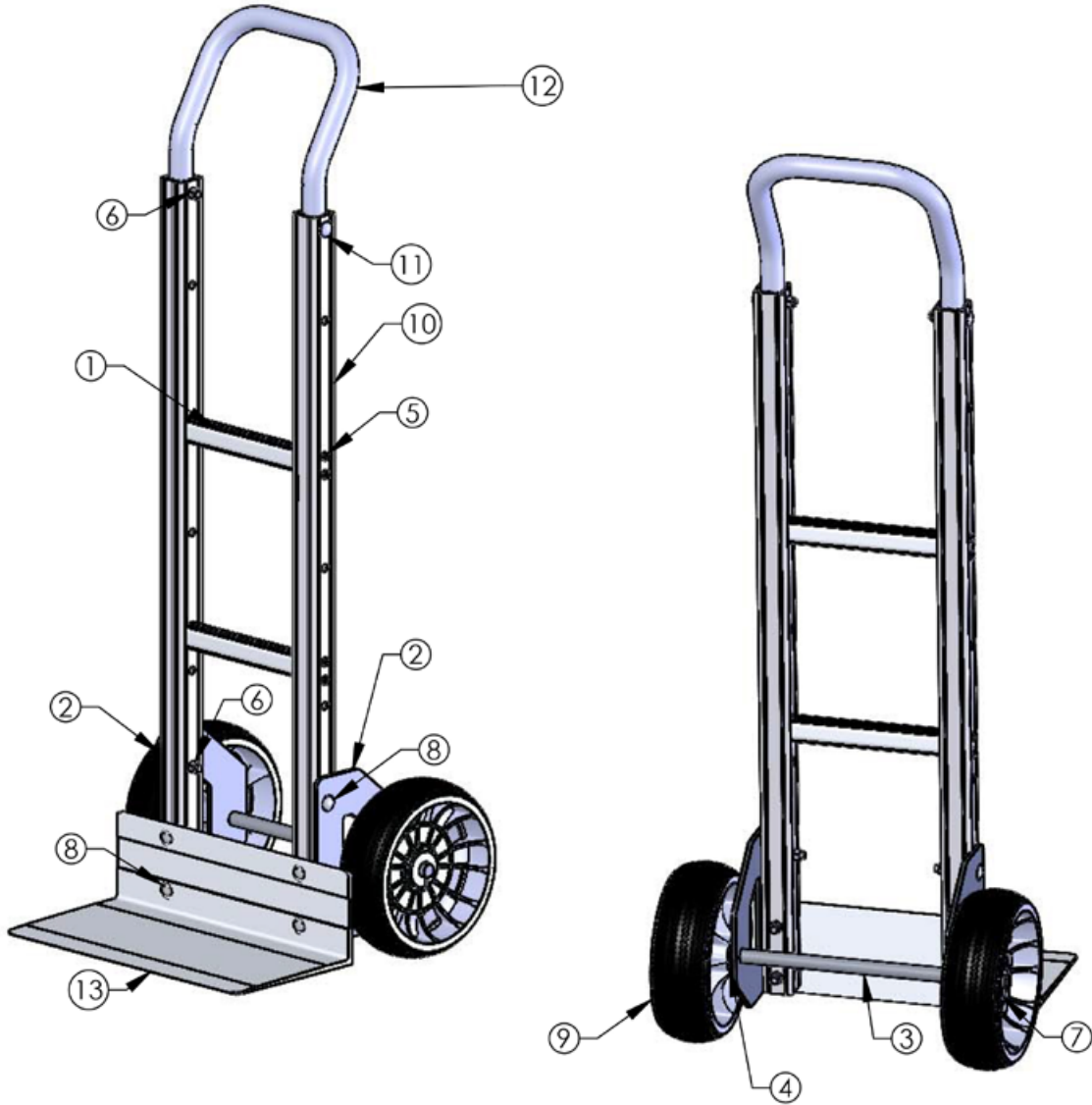
**Customer Service
877-447-2648
M-F, 8am - 5pm EST**

SPECS



Dimensions:	W: 20"	D: 20"	H: 52"-58"
Foot Plate:	W: 18"	D: 9"	
Weight:	28 lbs.	Capacity:	600 lbs.

PARTS DIAGRAM

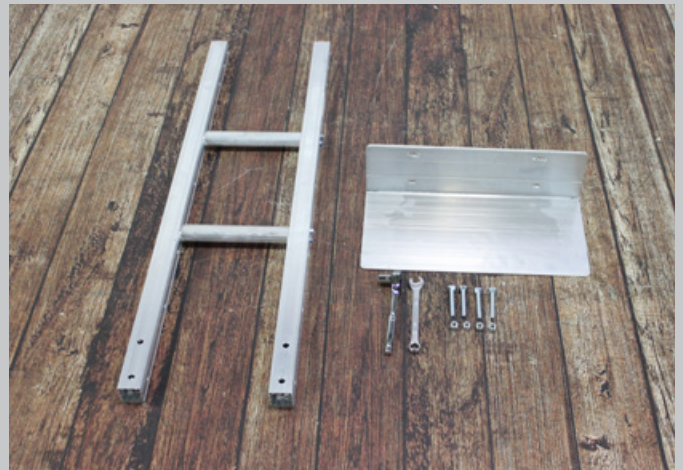


ITEM NO	QTY	PART NO	DESCRIPTION	
1	2	MI-13-0813	Cart Frame Cross Member	
2	2	MI-08-1680	D Bracket	
3	1	MI-04-0704	Axle 3/4" x 18 3/8"	
4	6	PI-01-0451	3/4" Washer	
5	8	PI-01-0424	3/4" Slotted Hex Washer	
6	10	PI-01-0019	3/8" Locknut	Use a 9/16" wrench / socket
7	2	PI-01-0226	Cotter pin - 1-1/4"L	
8	8	PI-01-0115	3/8" Carriage Bolt - 2-1/2" L	
9	2	PI-06-0123	10" Offset Plastic Hub Wheel	
10	2	MI-13-0845	Outer Cart Frame	
11	2	PI-01-0155	3/8" Carriage Bolt - 2-1/2" L	
12	1	MI-01-6577	Rounded Handle	
13	1	MI-13-0836	Foot Plate	

STEP 1: FOOT PLATE ASSEMBLY

COMPONENTS		
ITEM NO	QTY	DESCRIPTION
8	4	3/8" Carriage Bolt - 2-1/2" L
6	4	3/8" Locknut
13	1	Footplate
	1	Cart Frame

TOOLS	
9/16" Socket or 9/16" Wrench	



1 Center the foot plate onto the cart frame and align the holes on both. Insert bolts from front to back into each of the holes.



2 Thread a lock nut onto each bolt and finger tighten.



3 Finish tightening all of the bolts with a 9/16" socket wrench.

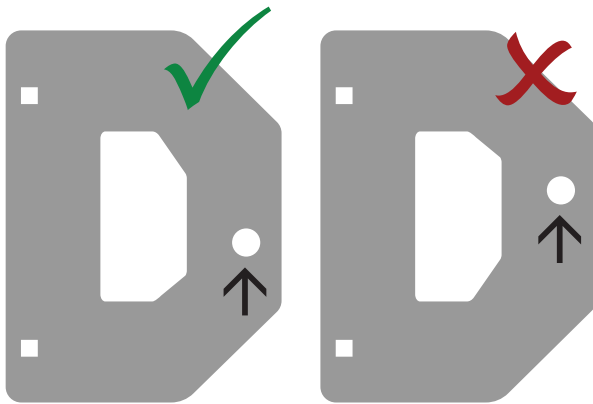


✓ CHECK POINT
Your cart should look like this. If so, continue onto the next step.

STEP 2: D BRACKET ASSEMBLY

COMPONENTS		
ITEM NO	QTY	DESCRIPTION
2	2	D Bracket
8	4	3/8" Carriage Bolt - 2-1/2" L
6	4	3/8" Locknut

TOOLS		
9/16" Socket or 9/16" Wrench		

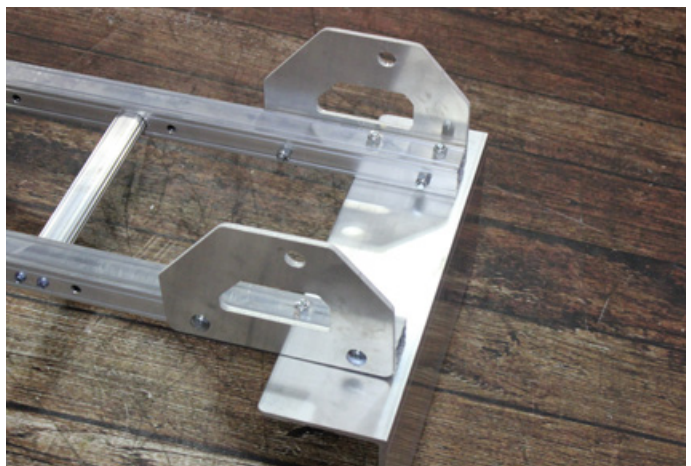


1 Make sure the D brackets are installed with the hole for the axle towards the bottom.

2 Lay your cart face down. Place a D bracket on the outside of the cart frame. Insert a bolt through the square hole on bracket and frame. Repeat for the 2nd square hole.



3 Install a lock nut on the bolt. Use a 9/16" wrench to tighten. Repeat for the other D bracket.



✓ CHECK POINT
Your cart should look like this. If so, continue onto the next step.

STEP 3: WHEEL ASSEMBLY

COMPONENTS		
ITEM NO	QTY	DESCRIPTION
3	1	Axle 3/4" x 18 3/8"
4	6	3/4" Washer
7	2	3/8" Cotter pin - 1-1/4"L
9	2	10" Offset Plastic Hub Wheel

TOOLS		
Pliers or Needle Nose Pliers		



1

Slide the axle through the round holes on the D bracket.



2

Slide 2 washers onto the axle, followed by one of the tires. Make sure the offset side of the tire is going towards the cart body.



3

Place a third washer onto the axle.



4

Insert a cotter pin, and using a needle nosed pliers, bend both sides outward to secure in place. Repeat steps 1-4 for the other wheel.

STEP 4: HANDLE ASSEMBLY

COMPONENTS

ITEM NO	QTY	DESCRIPTION
12	1	Rounded Handle
11	2	3/8" Carriage Bolt - 2-1/2" L
6	2	3/8" Locknut

TOOLS

9/16" Socket or 9/16" Wrench

Pliers



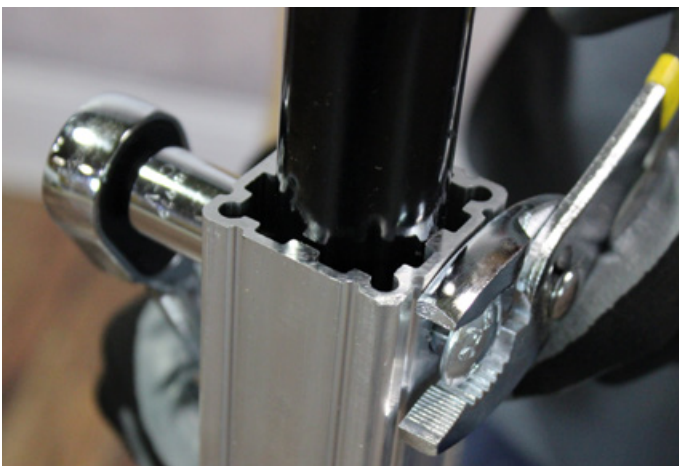
1

Slide the handle into the cart frame and adjust to your desired height. There are 2 options.



2

Insert a bolt through the cart frame and handle going from the outside of the frame to the inside.



3

Finger tighten a lock nut onto the bolts. Then, using a socket 9/16" wrench and pliers, tighten the nuts down.



4

The aluminum will adjust to accommodate the square collar on the bolts as you tighten. Repeat steps 1-4 for the other side.